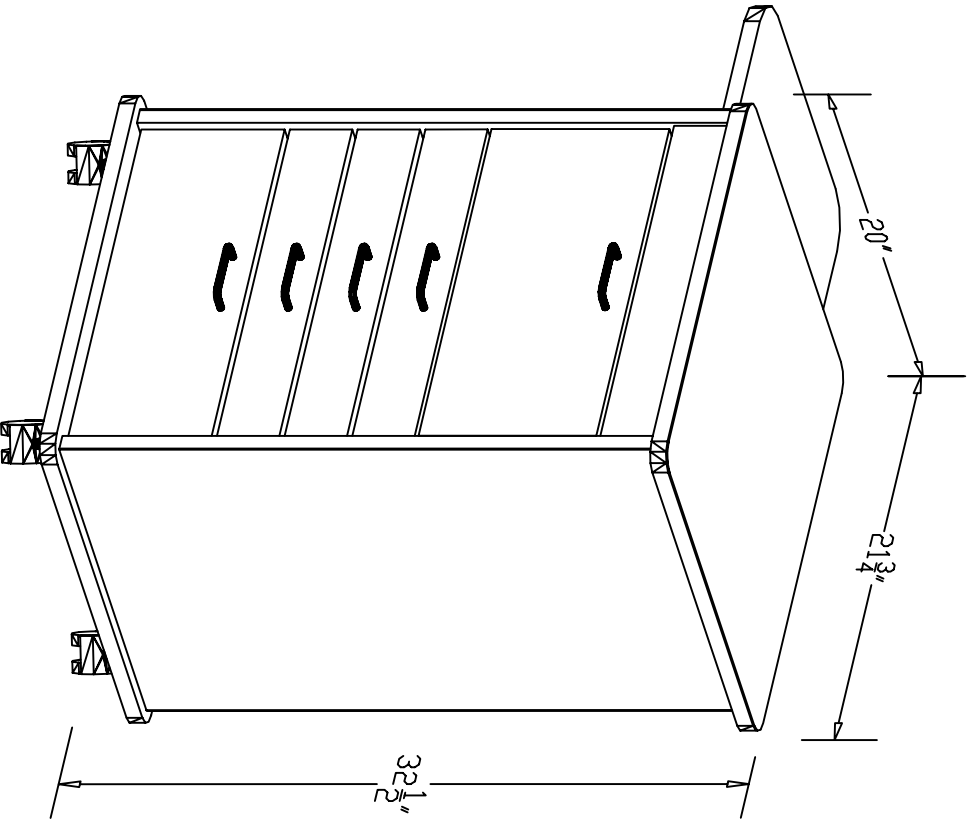


<b>Standard:</b>	
High Pressure Laminate Colors	
Handles on Doors / Drawers	
Sliding Side Shelf - Specify Direction Below	
1 Drop Front Drawer, 4 Regular Drawers	
Casters	
<b>Options:</b>	
Left Sliding Side Shelf	\$0.00
Right Sliding Side Shelf	\$0.00
<b>Cabinet Colors (Please List)</b>	
Countertop:	
Cabinet Panels:	



Duplication of BDC designs is prohibited.

Review drawing dimensions for proper installation.

I confirm that this order is correct.  
Signature: \_\_\_\_\_ Date: \_\_\_\_\_

**BUYDENTALCABINETS.COM**

VIRGITA FAULS, TX  
PHONE: (972) 964-2377 EXT. 121  
FAX: (940) 352-8280

For: Presentation  
Date: 8/27/07  
Drawn By: B.C.  
Checked By: T.B.

Assisant's  
"North Carolina" Cart